

specifications for

.400wall Spiral Wound Corner Posts



TOTEKO PACKAGING COMPANY

P.O. BOX 4107 • BELLEVUE, WASHINGTON 98009

(425) 641-7127 • FAX (425) 641-7148

E-MAIL: totecocs@toteco.com

www.toteco.com

Also available in .190 inch wall thickness



Length = $41\frac{1}{16}$ inches

Outside Diameter = 2.2 inches

Construction Description:

Multiple Plies of Glued Spiral Wound Paperboard

Coating:

- **Inside:** Poly coated Kraft Linerboard
- **Outside:** 42lb. Kraft Linerboard with Michelman coating (including Saw Cuts)

Compression Value: 1,900 lb*

Tare Weight: Each: 2.258 lb
 Per inch: .055 lb
 Per Tote** 985 lbs

Truckload Qty: 44 totes @ 390 per tote
 17,160 per truck

Printing:

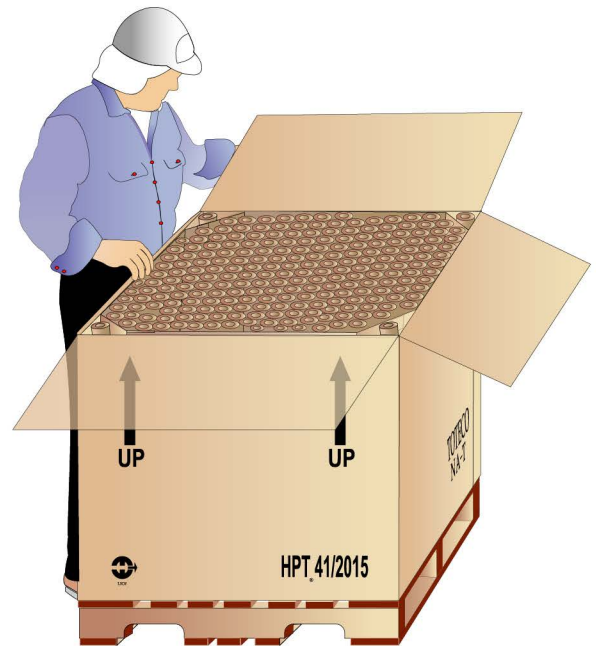
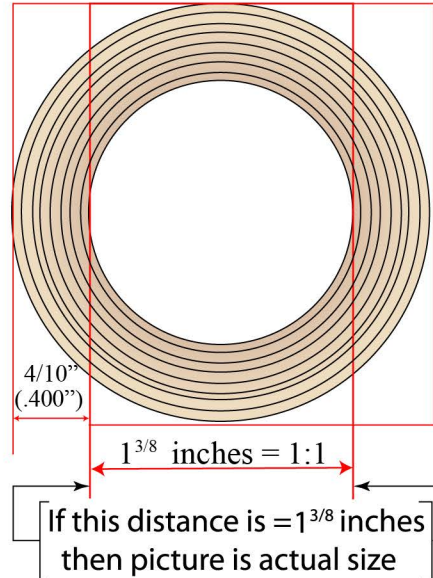
- Logo
- color code -DarkBlue(.400)
- year code
- Manufacturing location code
- Wall thickness (.400)

Packaging:

Packed in new HPT® 41 Totes
 on a 48" x 40" 4-way pallet
 (390 pieces per unit)

** Unit weight is based on 390 cornerposts,
 a 55 lb tote & a 50 lb pallet

*corner post compression testing is
 performed on Full Length Corner Posts
 (no segments)



04/03/15-sp#1225-19-06.400

Replaces version dated 04/23/09

Reviewed on: